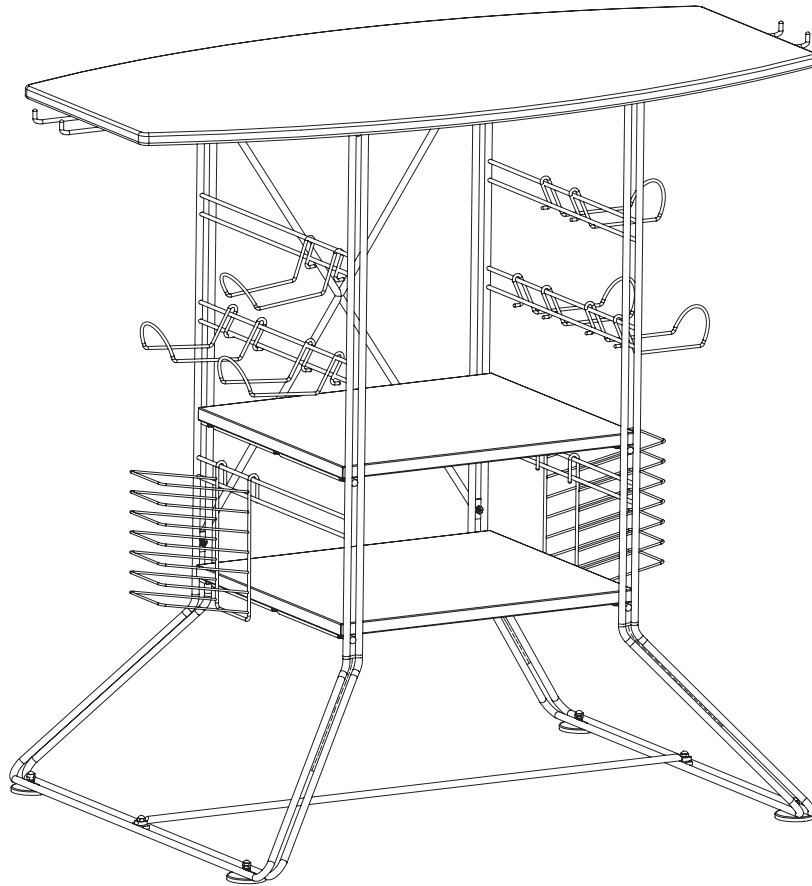


THIS INSTRUCTION BOOKLET CONTAINS
IMPORTANT SAFETY INFORMATION, PLEASE
READ AND KEEP FOR FUTURE REFERENCE.

Lot Number : _____

Date: _____



Item #: 45506118/45506118B
45506120/45506120B

Centipede Gaming Tower

Holds PLASMA or LCD TV's that measure up to 37 inches. If parts are missing, DO NOT return to the store. To order missing / replacement parts or assembly assistance please call 1-800-747-2660 or mail customer_relations@atlantic-inc.com.

Assembly Tips:

Become familiar with the instructions and all parts.

Make sure that all parts are in the box and in good condition.

Assemble the product on the open flat carton or a rug to protect the product and your floor.

Some heavy products need a second person to assist in the assembly.

Use of power tools is not recommended.

It is strongly recommended that at least two people carry out the assembly.

Assemble the product close to a wall.

With each step, first insert and hand-tighten all bolts and screws by hand. After **ALL BOLTS** are slightly screwed in, fully tighten bolts with Phillips screwdriver in sequential pattern (clockwise or counter clockwise).



Caution:

Never let children climb on furniture or play with furniture.

Do not sit or stand on furniture.

Do not place a TV that is heavier than the recommended load rating on the furniture surface.

Do not overload shelves.

Use care when moving furniture. Furniture can tip over if moved improperly.

Only move furniture when it is empty of TV or other electronic components.

Improper handling can result in cuts and lacerations.




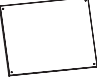



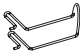
Do not install on sloping surface.




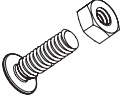

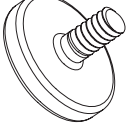

Care Instructions:

Use electrostatic dust cloths to clean furniture.

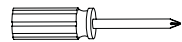
Do not set hot or cold containers directly on the furniture surface.

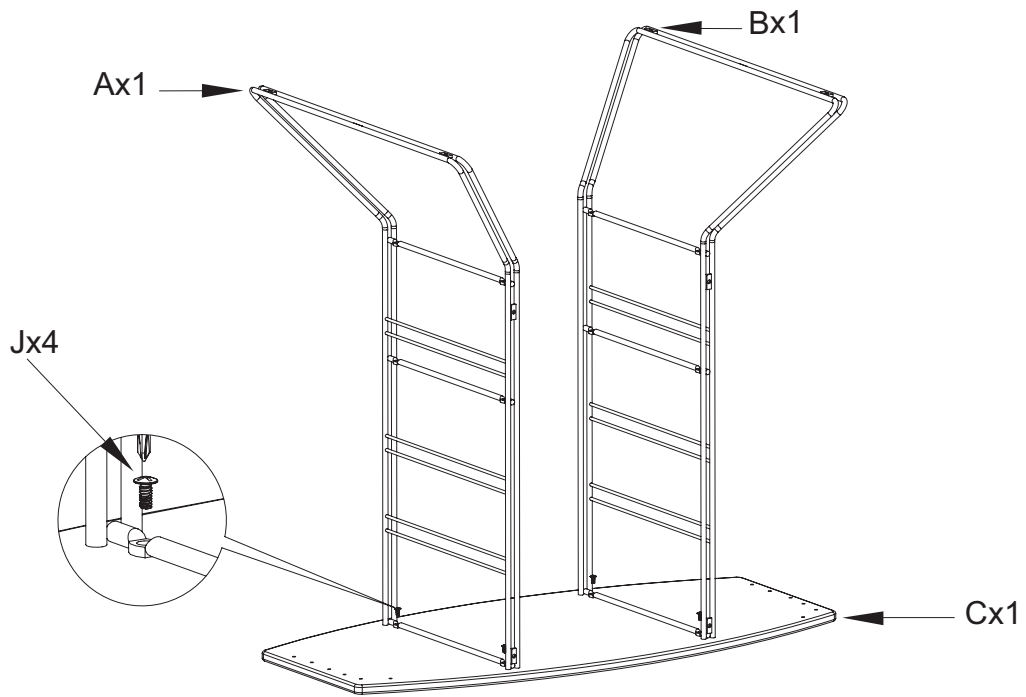
Part List

Item	Components parts list	Qty
A		1
B		1
C		1
D		2
E		1
F		1
G		2
H		6

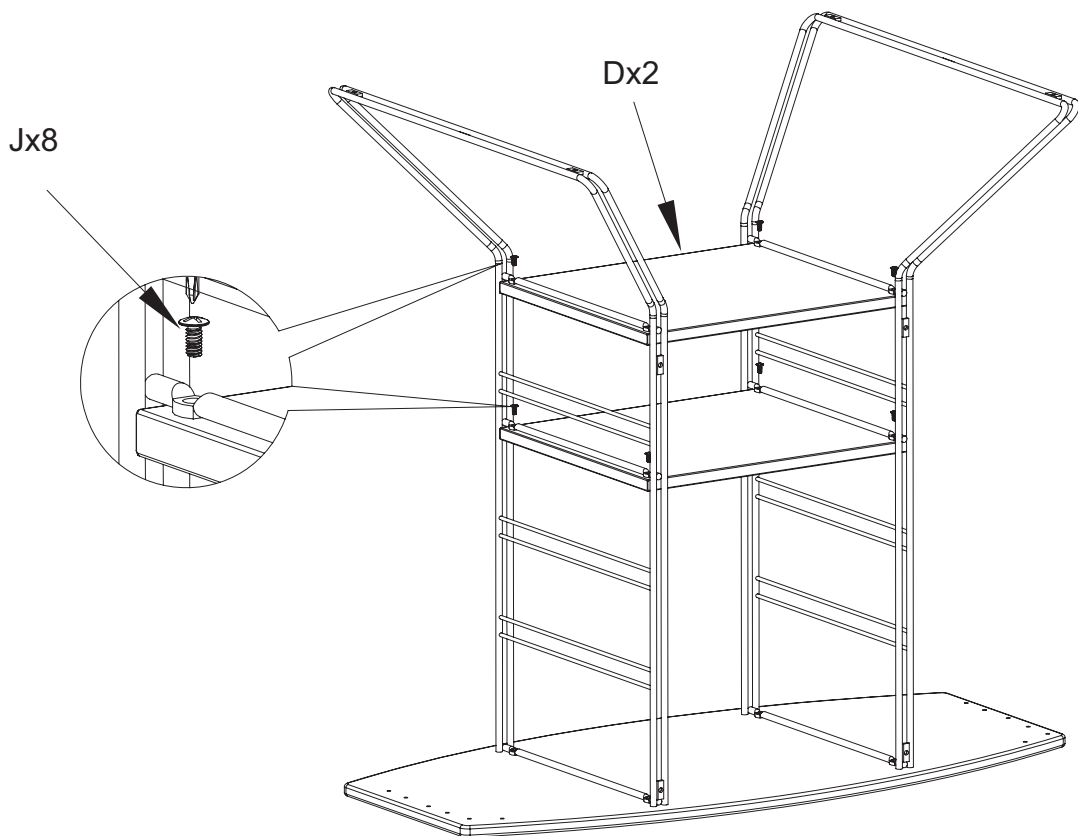
Item	Components parts list	Qty
I		2
J		12
K		4
L		4
M		2
P		4
Q		4

Philips screwdriver needed (not included)

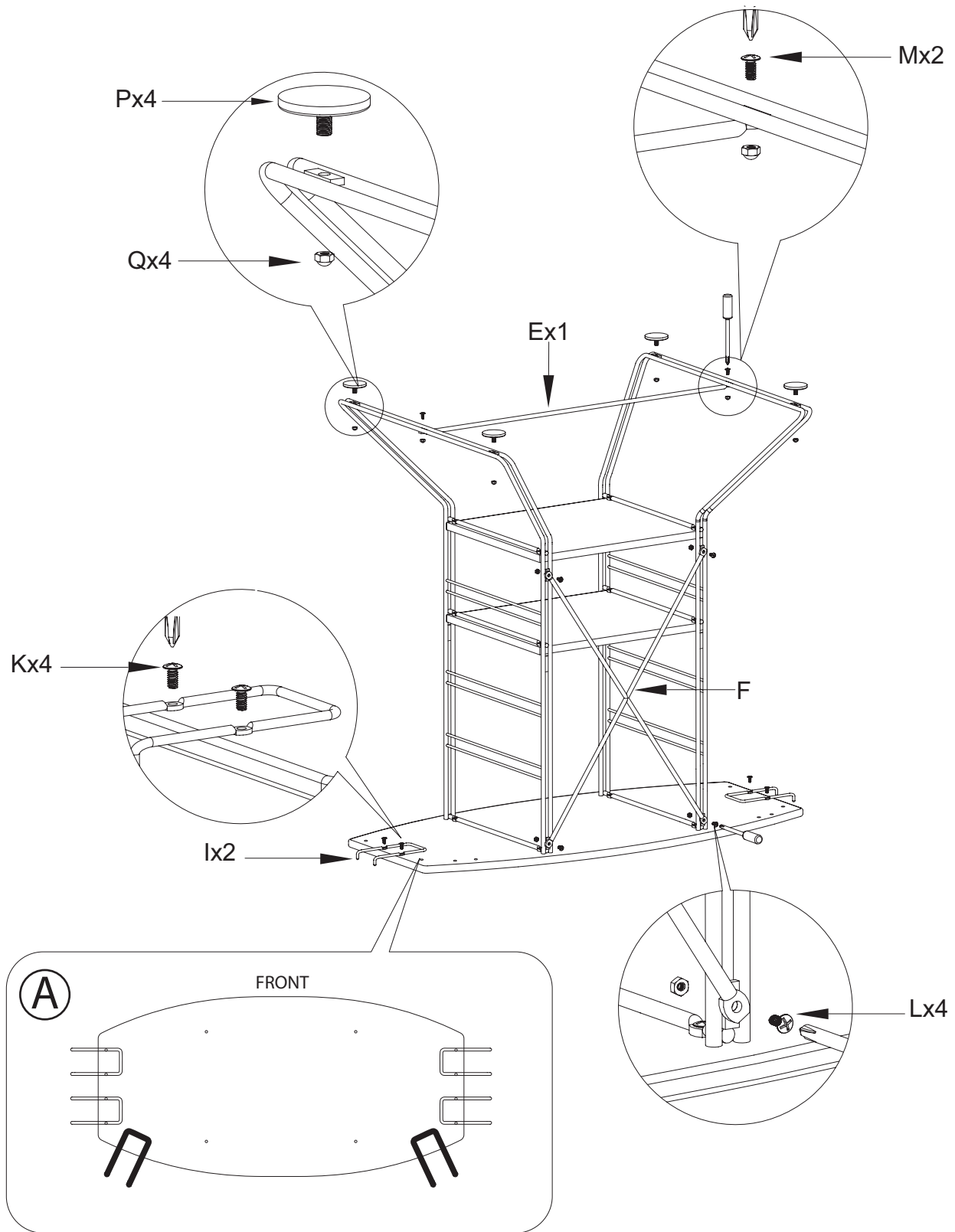




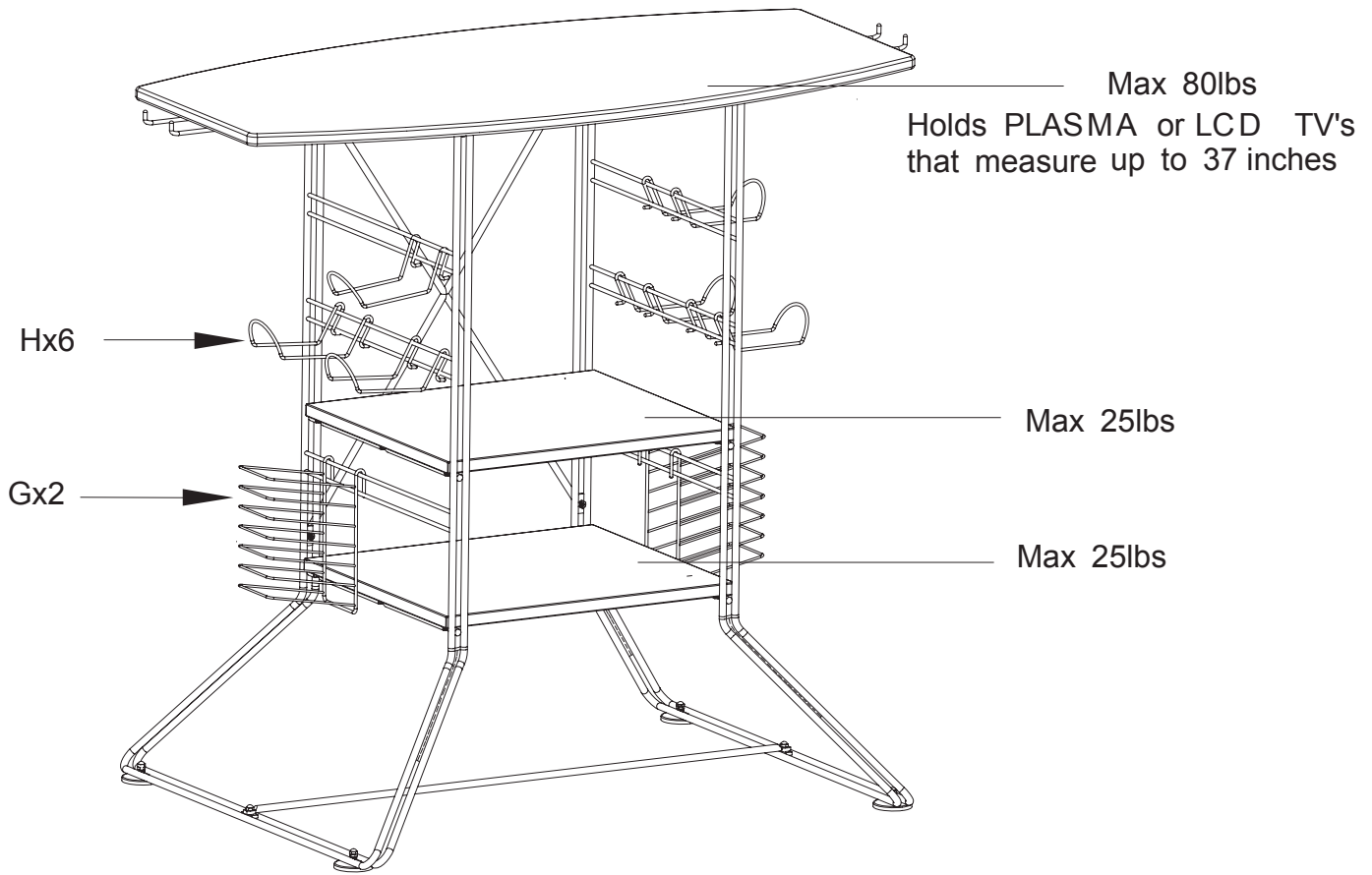
1. Attach wire frame (A&B) to top panel (C) with screws (J).



2. Fix shelves (D) to the wire frame (A&B) with screws (J).



- 3.a) Fix the guitar hook(I)to the top panel(C) with screws(K)
See diagram A for various guitar hook location options.
- b) Fix the X bar(F) to the wire frame(A)&(B) with screw(L).
- c) Fix the bottom bar(E)with screws(M).
- d) Fix the adjustable feet(P) with cap(Q).



4. Turn unit upright, then hang the controller hook(H) and media hook(G) to the wire frame(A&B).

Product Warranty: Atlantic Inc., warrants to the original purchaser that its products are free from defect in materials or workmanship. If after inspection, we find that the product was defective in materials or workmanship, we shall repair or replace the product at our discretion. This warranty does not cover accidental damage, misuse, improper care or alteration and excludes claims for incidental or consequential loss. This limited warranty applies to product purchased in the U.S. and Canada. This warranty gives you specific legal rights and you may also have other rights which vary from State to State. This warranty duration will be last one year.

Keep this Instruction Manual for future reference.
Keep your original proof of purchase (store receipt).

If parts are missing, DO NOT return to the store.
To order missing / replacement parts or for assembly assistance please contact customer_relations@atlantic-inc.com.
Or call 1-800-747-2660 M-F, 8am-5pm, P.S.T.

ATLANTIC®

©2009 Atlantic Inc. Santa Fe Springs, CA, U.S.A.
U.S. and other foreign patents pending /
Patentes de los EUA y países extranjeros en trámite /
Brevets en cours pour les États-Unis et autres pays /
U.S. und andere ausländische Patente sind hängig

All rights reserved / Derechos Reservados /
Tous droits réservés

Made in China / Hecho en China /
Fabriqué en Chine

www.atlantic-inc.com

R1.0 100324# 45506118/45506118B
45506120/45506120B